



DV60

Dual View Dumper

Power for more safety

More space for the legs and an exit option on both sides allow the DV60 to be used even more safely, with a payload of up to 6 tons. In the power version now with extra power under the hood. The hill-hold function and seat belt monitoring with optional start release take the safety of the machine to a new maximum and already think for the operator before it is too late. Many additional comfort features in the basic machine or as an option additionally ensure the comfort factor for the operator.

Highlights

- Swiveling operator's seat with plenty of legroom
- Seat belt monitoring with start release
- Fold-down armrest for entry and exit from both sides
- Power version
- Hill-Hold function

Technical Data

Hydraulic

Operating pressure	3,480.0 psi
Flow rate	19.3 gal/mi
Tank capacity	12.7 gal US

Mechanical - Output Details

Nominal Engine speed	2,300.0 1/min
Gradeability	57.5 %
Travel speed	15.5 m/H
Travel speed (Option)	18.6 m/H

Mechanical Details

Length	175.1 "
Width	91.7 "
Height	139.6 "
Payload	13,227.7 lb
skip	Front tip skip
Skip capacity levelled	634.0 gal US
Skip capacity heaped	832.2 gal US
Skip capacity waterlevel	422.7 gal US
Pendulum angle	11.0 °

Operating weight (min.-max.) 10,053.1 - 24,026.0 lb

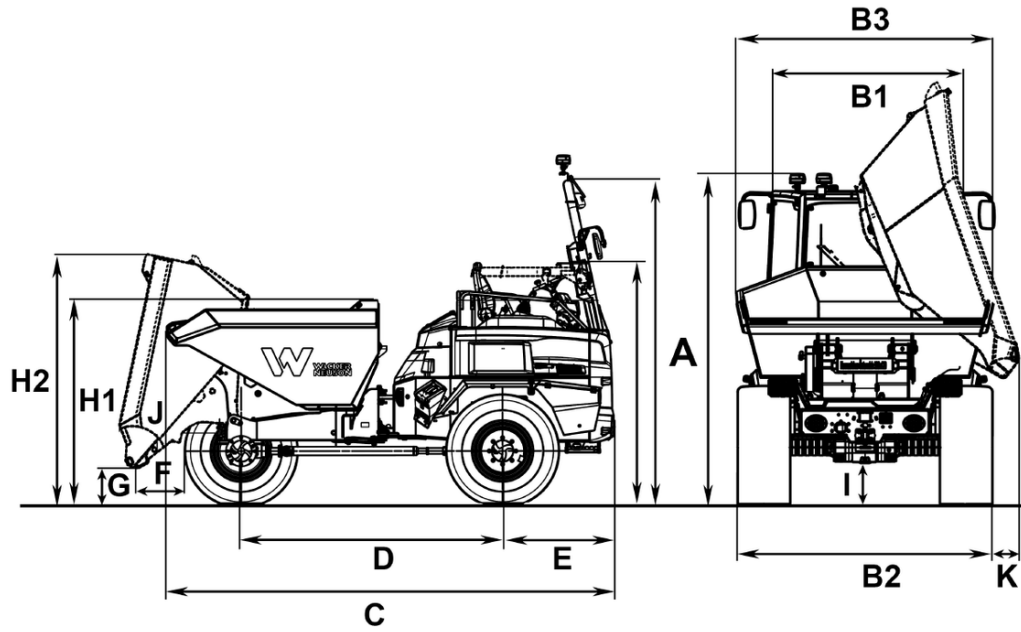
Engine

Cooling	Water-cooling
Engine type	Diesel engine
Cylinder	4.0
Cylinder capacity	178.4 Inch ³
Tank capacity	15.9 gal US
Effective power	74.3 hp
Nominal Engine speed	2,300.0 1/min
Exhaust-gas limit	IIIB/Tier IV Final
Manufacturer	Deutz
Engine designation	TD2.9 L4

Chassis

Turning radius	240.6 "
Articulation angle	29.0 °
hydraulikpump	Axialpistonpump
Flow rate	32.5 gal/mi
tires	405/70-20

Dimensions



A	Height ROPS	135.2 in
	Height ROPS with rotating beacon	139.6 in
	Height of ROPS tilted	95.5 in
	Height with cab	115.2 in
	Height of cab with rotating beacon	121.7 in
B1	Width of cab	64.1 in
B2	Width of vehicle	86.5 in
B3	Width of skip	91.7 in
C	Total length ROPS	174.8 in
	Total length of cab	174.8 in
D	Wheel base	97.8 in
E	Rear overhang	45.6 in
F	Dumping width	22.9 in
G	Dumping height max.	16 in
H1	Skip height	80 in
H2	Skip height tilted	94.6 in
I	Ground clearance	14.3 in
J	Dumping angle	50 °