



**QUICK SPECS**

Weight	5,919 lbs
Horsepower	20.4 hp
Digging Depth	9'0"

**Goes places bigger excavators can only dream about.**

If you work on tight residential or inner city jobsites, you need an excavator that fits through narrow openings and works comfortably in tight quarters. Meet the new ViO25-6A. This scrappy, go-almost-anywhere true zero tail swing excavator works anywhere you can fit the tracks. It also comes with a fuel-efficient 20.4-hp Final Tier 4 engine that delivers unexpected power for its size, with less environmental impact. We apologize if it gives those bigger excavators nightmares.



**ViO25-6A**

POWERFUL, EFFICIENT ELECTRONICALLY CONTROLLED 20.4-HP FINAL TIER 4 DIESEL ENGINE

JOYSTICK PILOT CONTROLS WITH CONTROL PATTERN CHANGE STANDARD

AUXILIARY HYDRAULICS W/ PROPORTIONAL CONTROL STANDARD

2-SPEED DRIVE CONTROL STANDARD

OPTIONAL ENCLOSED CAB WITH HEAT

HYDRAULIC QUICK COUPLER

NEW DIGITAL SMART ASSIST CONTROL SYSTEM

**INNOVATIVE FEATURES**



**Advanced Operation Control System**

The new digital Smart Assist control system allows you to monitor up to three months of operational history. Because this state-of-the-art system centralizes control of machine operation information and maintenance support information, it's never been easier to maintain a timely, efficient service process.



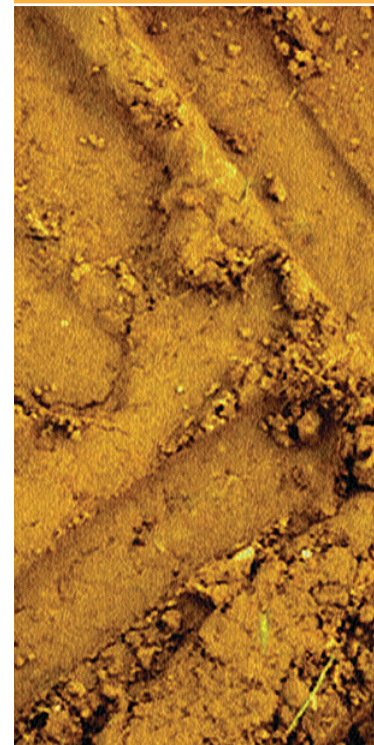
**Quick Coupler System**

The standard hydraulic Quick Coupler makes changing buckets fast and easy. With the exception of fitting and removing the safety lock pin, the entire operation is performed electronically while you're seated in the comfort of the cab. Less hassle. Less downtime. More productivity.

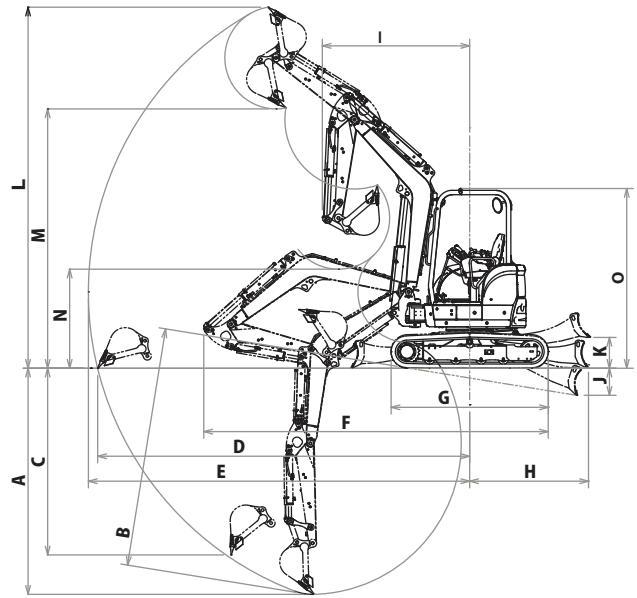
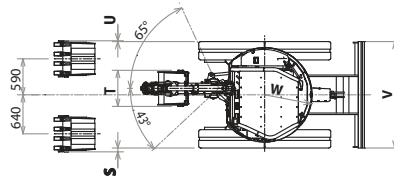


**Easier To Service Than Your Car**

The innovative design puts virtually every major component – engine, hydraulic system, starter, generator, battery – right at your fingertips. Because routine filter and grease fitting checks are easier and quicker, you can perform them more often, extending the life of and improving the durability of your machine.

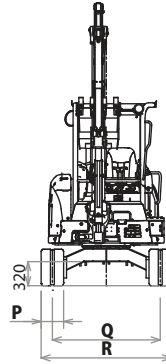


# Vi025-6A



## Dimensions - Vi025-6A - Rubber Track

<b>A</b> 9 ft. 8 in. (2,950 mm)	<b>M</b> 9 ft. 1 in. (2,780 mm)
<b>B</b> 10 ft. 4 in. (3,150 mm)	<b>N</b> 1 ft. 11 in. (585 mm)
<b>C</b> 7 ft. 9 in. (2,370 mm)	<b>O</b> 8 ft. 2 in. (2,490 mm)
<b>D</b> 15 ft. 9 in. (4,800 mm)	<b>P</b> 10 in. (250 mm)
<b>E</b> 16 ft. 1 in. (4,910 mm)	<b>Q</b> 4 ft. 1 in. (1,250 mm)
<b>F</b> 13 ft. 5 in. (4,090 mm)	<b>R</b> 4 ft. 11 in. (1,500 mm)
<b>G</b> 6 ft. 8 in. (2,040 mm)	<b>S</b> 6 in. (145 mm)
<b>H</b> 4 ft. 6 in. (1,380 mm)	<b>T</b> 1 ft. 7 in. (490 mm)
<b>I</b> 7 ft. 1 in. (2,160 mm)	<b>U</b> 1.4 in. (35 mm)
<b>J</b> 1 ft. 2 in. (355 mm)	<b>V</b> 4 ft. 11 in. (1,500 mm)
<b>K</b> 1 ft. 1 in. (340 mm)	<b>W</b> 2 ft. 5 in. (750 mm)
<b>L</b> 14 ft. 8 in. (4,480 mm)	



## Specifications

Model		Vi025-6A	
Type		Canopy	Cabin
<b>Operating Weight</b>	Rubber track	5919 (2685) lbs (kg)	6217 (2820) lbs (kg)
	Steel track	6162 (2795) lbs (kg)	6460 (2930) lbs (kg)
<b>Engine</b>	Type	Water-cooled 4-cycle diesel	
	Model	Tier 4 3TNV80F-SXNBV	
	Rated Output	20.4 (15.2) / 2500 HP (kW)/rpm	
<b>Performance</b>	Max Digging Force, Bucket / Arm	w/ QC - 4079 (18.2); w/o QC - 5203 (23.1) lbs (kN)	
	Traveling Speed, High / Low	2.8 (4.5) / 1.7 (2.8) MPH (km / h)	
	Swing Speed	10 RPM	
	Boom Swing Angle, (L / R)	47 / 74 degrees	
<b>Ground Contact Pressure (Rubber Track)</b>		4.38 (30.2) PSI (kPa)	4.59 (31.7) PSI (kPa)
<b>Hydraulic System</b>	Pump Capacity	7.9 (30.0)x2 <Variable displacement pump> 5.6 (21.3)x1, 3.0 (11.3)x1 <Gear pump> GPM (L / min)	
	Main Relief Set Pressure	2987 (20.6)x2, 2631 (18.1)x1 PSI (MPa)	
<b>Blade Dimensions</b>	Width	4'11" (1500) ft-in (mm)	
	Stroke, Raise / Lower from G.L.	1' 2" (355) / 1' 1" (340) ft-in (mm)	
<b>Fuel tank capacity</b>		8.1 (30.7) Gals (L)	

## Standard Equipment

- Hydraulic Quick Coupler\*
- Backfill Dozer Blade
- Boom Swing Function
- Rubber Track / Steel Track
- Auxiliary Valve and Plumbing
- Back Mirror
- 2-way Control Pattern Change
- ROPS / OPG Canopy, Cabin
- Windshield Washer
- Joystick Pilot Controls
- Arm Rests (Adjustable)
- Suspension and Reclining Seat
- Seat Belt
- Proportional Auxiliary Hydraulics Control
- Travel Automatic
- Dual Speed Switch
- Auto Deceleration Switch
- Eco Mode Switch
- Engine Stop Switch
- Traveling Alarm
- Floor Mats

\*Also available without Quick Coupler.

Please note that the standard equipment may vary from this list. Consult your Yanmar dealer for confirmation.

## Hydraulic PTO

Model	Output	Vi025-6A	
		PSI (MPa)	GPM (L / min)
<b>Specification</b>	<b>Combined Flow, Double Actions</b>	2987 (20.6)	2500RPM
			1400RPM
		13.6 (51.3)	7.58 (28.7)

## Lifting Capacity

LIFT POINT HEIGHT h:in (mm)	(r) LIFT RADIUS in. (mm)				(r) LIFT RADIUS in. (mm)				(r) LIFT RADIUS in. (mm)			
	RATED LIFT CAPACITY OVER END BLADE DOWN lbs (kg)				RATED LIFT CAPACITY OVER END BLADE UP lbs (kg)				RATED LIFT CAPACITY OVER SIDE BLADE UP lbs (kg)			
	MAX	118.1 (3000)	98.4 (2500)	78.7 (2000)	MAX	118.1 (3000)	98.4 (2500)	78.7 (2000)	MAX	118.1 (3000)	98.4 (2500)	78.7 (2000)
118.1 (3000)	1014 (460)*				992 (450)*				837 (380)			
98.4 (2500)	1014 (460)*	1014 (460)*			881 (400)	1014 (460)*			727 (330)	992 (450)*		
78.7 (2000)	1036 (470)*	1014 (460)*			793(360)	1014 (460)*			661 (300)	793 (360)		
39.4 (1000)	1080 (490)*	1366 (620)*	1675 (760)*		705 (320)	1322 (600)*	1675 (760)*		595 (270)	970 (440)	1675 (760)*	
0 (0)	1146 (520)*	1609 (730)*	2094 (950)*	2888 (1310)*	727 (330)	1058 (480)	1388 (630)	1962 (890)	595 (270)	881 (400)	1124 (510)	1521 (690)
-39.4 (-1000)	1190 (540)*	1543 (700)*	2028 (920)*	2645 (1200)*	859 (390)	1036 (470)	1322 (600)	1918 (870)	705 (320)	837 (380)	1102 (500)	1543 (700)
-59.1 (-1500)	1168 (530)*		1675 (760)*	2116 (960)*	1036 (470)		1344 (610)	1851 (840)	881 (400)		1124 (510)	1499 (680)

\* Rated Hydraulic Lift Capacity